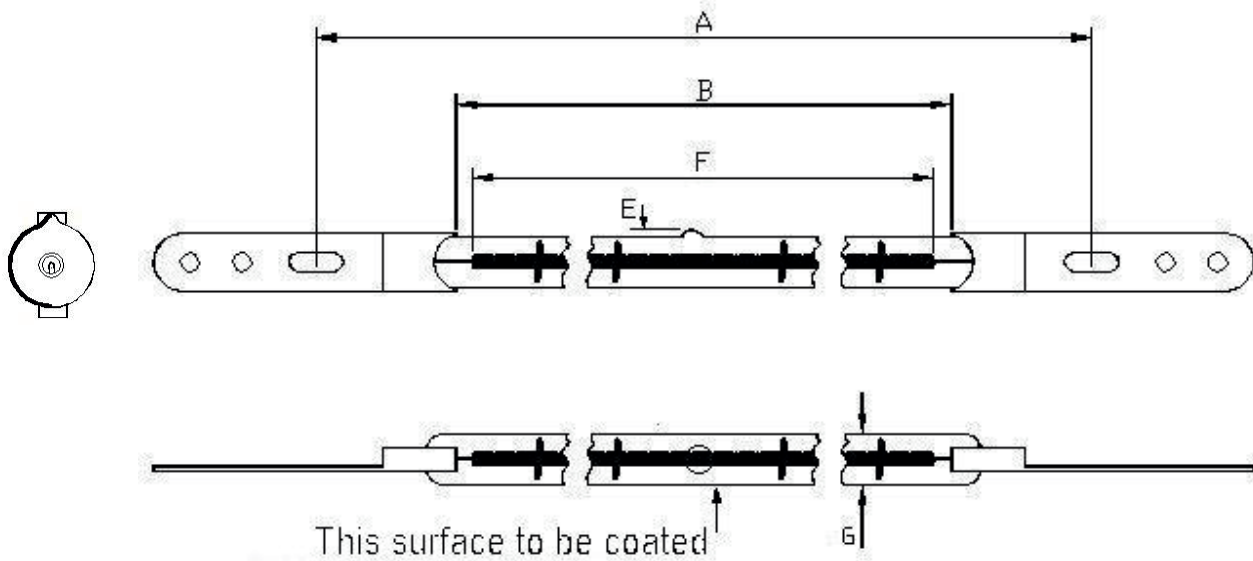




500w Quartz Metal Strapped Lamp



Dimensions

| | | | |
|---|---------|---|---------|
| A | 241±5 | E | 5 Max |
| B | 175 nom | F | 140 Nom |
| | | G | 10.5 |

All dimensions in mm unless otherwise stated

Technical Data

| | | | |
|--------|------------------|------------------|------------|
| Volts | 240 | Colour Temp K | 2450 |
| Watts | 500 | Life hrs | 5000 |
| Finish | Clear/refl. Coat | Burning Position | Horizontal |
| Cap | Metal strap (X) | | |

Lamp reflector coated in line with pinch as indicated above