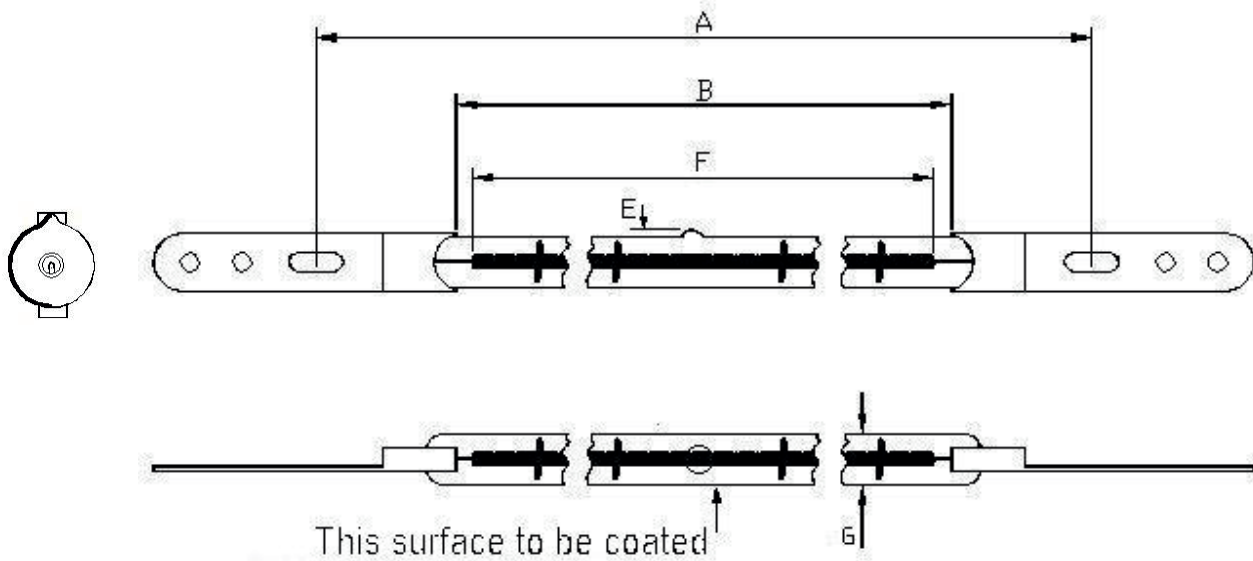




500w Quartz Metal Strapped Lamp



Dimensions

A	241±5	E	5 Max
B	180 nom	F	160 Nom
		G	10.5

All dimensions in mm unless otherwise stated

Technical Data

Volts	120	Colour Temp K	2450
Watts	500	Life Hrs	5000
Finish	Clear/refl. Coat	Burning Position	Horizontal
Cap	Metal strap (X)		

Lamp reflector coated in line with pinch as indicated above.