



WATER SOLENOID VALVE

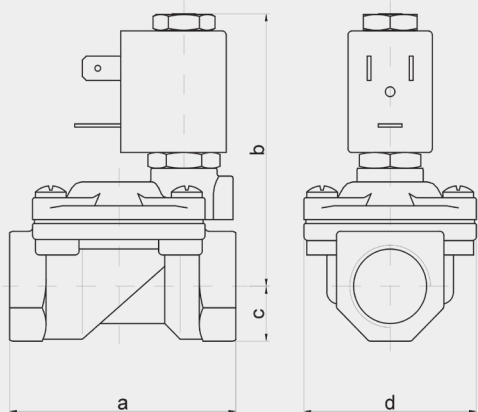
WRAS, NC, AUTO-RESET



| OVERVIEW |

This 2 Way, Normally Closed, Servo-assisted Diaphragm solenoid valve is suitable for a wide range of liquid and gaseous fluid isolation applications, including Hot Water (please check seal/material compatibility).

All valves are supplied with a pre-wired DIN plug to save on installation time, which also provide the benefit of an IP65 rating.



TECHNICAL SPECIFICATION

| | |
|----------------|-------------------------|
| Body Material | Brass |
| Wetted Parts | Brass & Stainless Steel |
| Seal Material | EPDM |
| Max Viscosity | 25cSt |
| Media Temp | -10 ~ 140°C |
| Operating Temp | -10 ~ 80°C |
| IP Rating | IP65 |
| Approval | CE, WRAS |

PART NUMBERS & COMMON ACCESSORIES

| PART NO | DESCRIPTION |
|----------|---------------------------------------|
| WV15 | 1/2" Water Solenoid Valve (230V AC) |
| WV20 | 3/4" Water Solenoid Valve (230V AC) |
| WV25 | 1" Water Solenoid Valve (230V AC) |
| WV32 | 1 1/4" Water Solenoid Valve (230V AC) |
| WV40 | 1 1/2" Water Solenoid Valve (230V AC) |
| WV50 | 2" Water Solenoid Valve (230V AC) |
| WV15-24A | 1/2" Water Solenoid Valve (24V AC) |
| WV20-24A | 3/4" Water Solenoid Valve (24V AC) |
| WV25-24A | 1" Water Solenoid Valve (24V AC) |
| WV32-24A | 1 1/4" Water Solenoid Valve (24V AC) |
| WV40-24A | 1 1/2" Water Solenoid Valve (24V AC) |
| WV50-24A | 2" Water Solenoid Valve (24V AC) |
| WV15-24D | 1/2" Water Solenoid Valve (24V DC) |
| WV20-24D | 3/4" Water Solenoid Valve (24V DC) |
| WV25-24D | 1" Water Solenoid Valve (24V DC) |
| WV32-24D | 1 1/4" Water Solenoid Valve (24V DC) |
| WV40-24D | 1 1/2" Water Solenoid Valve (24V DC) |
| WV50-24D | 2" Water Solenoid Valve (24V DC) |

| PART NUMBER | SIZE (NPT) | ORIFICE (mm) | FLOW FACTOR Cv (gpm) | OPERATING PRESSURE DIFF. MAX | | | NOMINAL POWER AC | | | OVERALL DIMENSIONS (ex CABLE) | | | | |
|-------------|------------|--------------|----------------------|------------------------------|----------|----------|------------------|--------------|--------|-------------------------------|--------|--------|--------|-------------|
| | | | | MIN (Bar) | AC (Bar) | DC (Bar) | Inrush (VA) | Holding (VA) | DC (W) | a (mm) | b (mm) | c (mm) | d (mm) | Weight (Kg) |
| WV15 | 1/2 | 12 | 2.89 | 0.15 | 15 | 15 | 12 | 8 | 6.5 | 59 | 70 | 14 | 45 | 0.39 |
| WV20 | 3/4 | 18 | 6.36 | 0.15 | 13 | 13 | 12 | 8 | 6.5 | 79 | 76 | 18 | 55 | 0.65 |
| WV25 | 1 | 25 | 11.79 | 0.15 | 10 | 10 | 12 | 8 | 6.5 | 96 | 85 | 20 | 72 | 1.05 |
| WV32 | 1 1/4 | 30 | 17.34 | 0.15 | 10 | 10 | 12 | 8 | 6.5 | 119 | 92 | 25 | 85 | 1.7 |
| WV40 | 1 1/2 | 37 | 24.3 | 0.15 | 10 | 10 | 20 | 15 | 10 | 142 | 105 | 25 | 10 | 2.85 |
| WV50 | 2 | 50 | 41.6 | 0.15 | 10 | 10 | 20 | 15 | 10 | 158 | 115 | 35 | 119 | 4.3 |